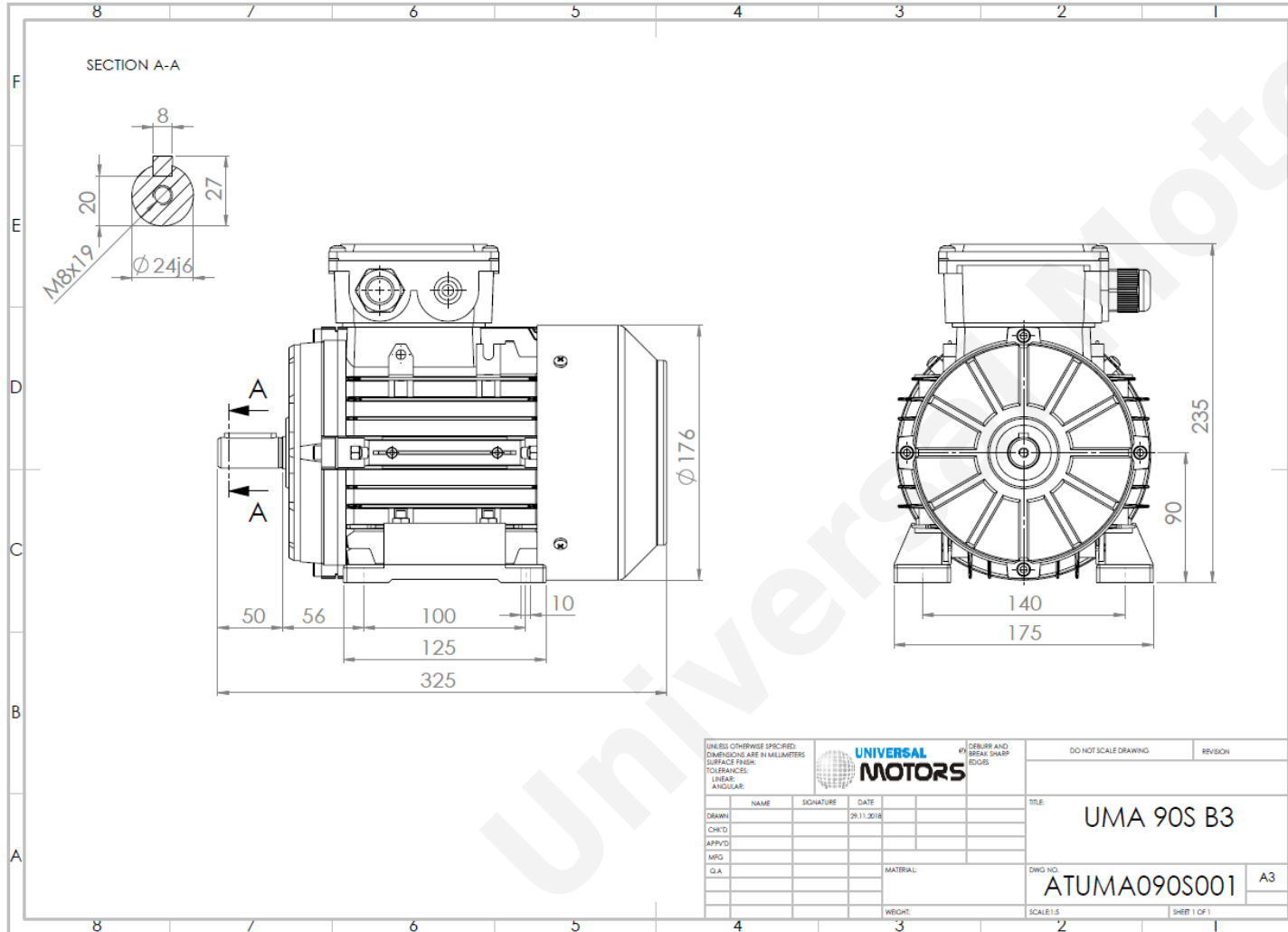




TECHNICAL DATA

Three Phase Electric Motors - Aluminum Frame
 UM3A 90 S 2 IE3
 1.5 kW / 2 Cv
 RPM



Motor type:	UM3A 90 S 2 IE3
Output:	1.5 kW / 2 Cv
Frequency:	50 Hz
Voltage:	400 V
Current:	3.14 A
Power factor (Cos Ø):	0.82
Poles:	2
Insulation class:	F
Temperature rise Class:	B
Efficiency 50%:	81.4 %
Efficiency 75%:	83.8 %
Efficiency 100%:	84.2 %
Torque:	4.9 N.m
Tstarting/Tnominal:	3.5
Istarting/Inominal:	8.3
Tmaximum/Tnominal:	3.7
Noise:	72 Db(A)
Weight:	14.0 Kg
Brake AC:	AC4
Torque Brake DC:	16 N.m
Bearing DE:	6205 2Z
Bearing NDE:	6205 2Z
Torque Brake AC:	20 N.m
Brake DC:	REB-05-10

Regime - S1

Altitude - 1000m

Environment Temperature - 40°C

CONTACTS:

UNIVERSAL MOTORS Tel: +351 252 299 080
 Rua de São Brás,745 Fax: +351 252 299 089
 4480-782 VILA DO CONDE Mail: geral@universalmotors.pt

* References applied only in the UK